



# PKR 251, FPM-sealed, DN 40 ISO-KF

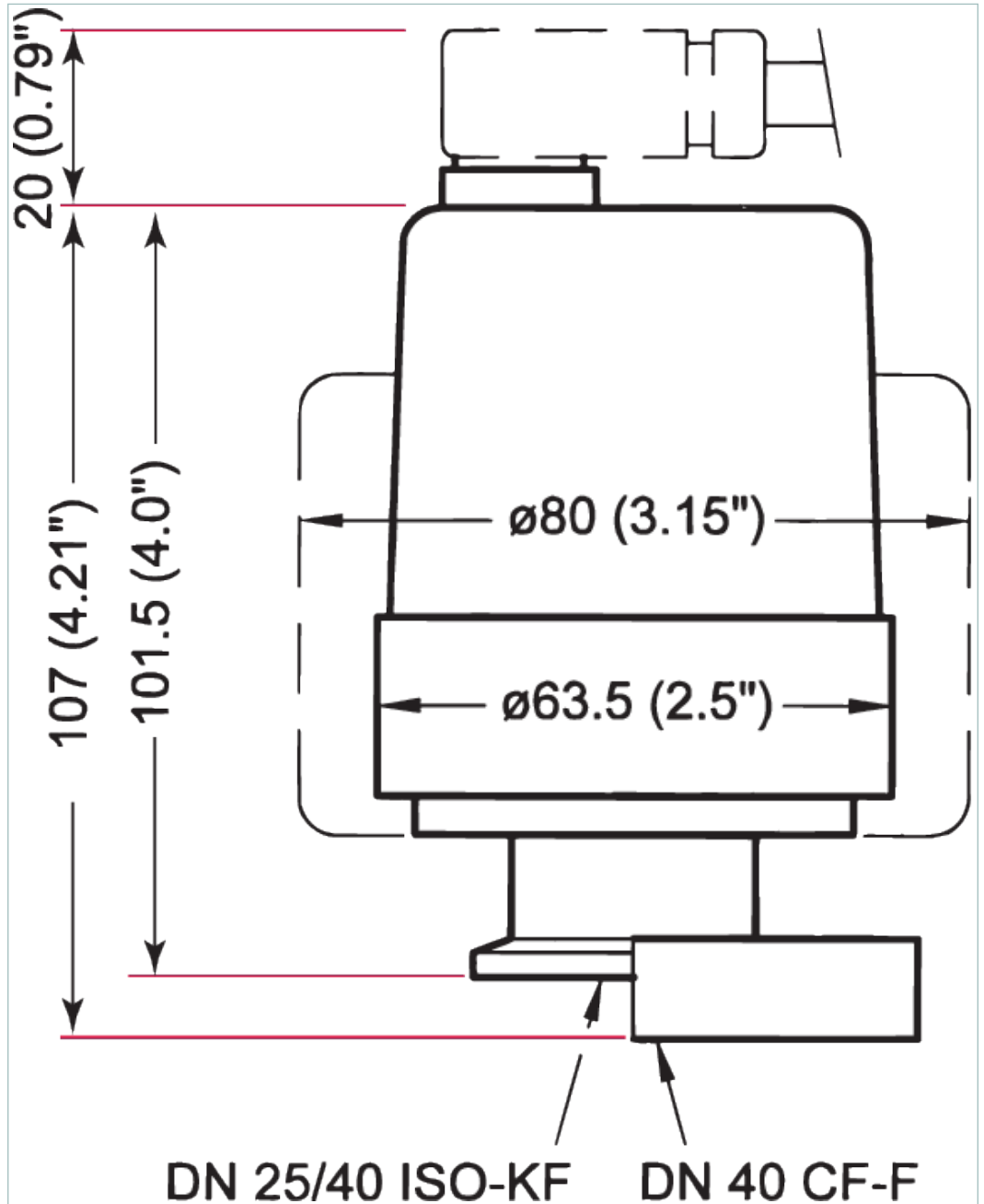


Similar Image

### PKR 251, FPM-sealed, DN 40 ISO-KF

- Flange size DN 40 ISO-KF
- The maximum pressure applies to inert gases and temperatures below 55 °C
- Corrosion-resistant

#### Dimensions



Technical Data	PKR 251, FPM-sealed, DN 40 ISO-KF
Ambient temperature	5-55 °C   41-131 °F   278-328 K
Anode	Mo
Attribute	Interior FPM sealed

Technical Data	PKR 251, FPM-sealed, DN 40 ISO-KF
Bakeout temperature	Electronics removed 150 °C   Electronics removed 302 °F   Electronics removed 423 K
Feedthrough	Al <sub>2</sub> O <sub>3</sub> , Glas
Filament	Tungsten
Flange, material	Stainless steel
Measurement cable length	300 m
Measuring range	5 · 10 <sup>-9</sup> – 1 · 10 <sup>3</sup> hPa
Nominal diameter	DN 40 ISO-KF
Output signal: Measuring range	1.8 – 8.6 V
Output signal: Minimum load	10 kΩ
Precision: 1 · 10 <sup>-8</sup> – 1 · 100 hPa	± 30 %
Pressure max.	10,000 hPa   7,500 Torr   10,000 mbar
Repeatability: 1 · 10 <sup>-8</sup> – 100 hPa	± 5 %
Seal	FKM
Supply: consumption max.	2 W
Supply: Voltage V DC	15 – 30 V DC
Temperature: Storage	-40-65 °C   -40-149 °F   233-338 K
Volume	20 cm <sup>3</sup>
Weight	700 g

Order number	
PKR 251	PT R26 001

Accessories	
<b>Adapters (electrical) Adapter Measurement</b>	
Mating connector, 6 pole	B4707283MA
<b>Monitoring Pressure Sensors</b>	
Measurement cable, 3 m	PT 448 250 -T
<b>Protection Magnetic shield</b>	
Magnetic shield for IKR and PKR 2xx	PT 443 155 -X

## **VACUUM SOLUTIONS FROM A SINGLE SOURCE**

Pfeiffer Vacuum stands for innovative and custom vacuum solutions worldwide, technological perfection, competent advice and reliable service.

## **COMPLETE RANGE OF PRODUCTS**

From a single component to complex systems:

We are the only supplier of vacuum technology that provides a complete product portfolio.

## **COMPETENCE IN THEORY AND PRACTICE**

Benefit from our know-how and our portfolio of training opportunities!

We support you with your plant layout and provide first-class on-site service worldwide.

Are you looking for a  
perfect vacuum solution?  
Please contact us:

**Pfeiffer Vacuum GmbH**  
Headquarters · Germany  
T +49 6441 802-0  
info@pfeiffer-vacuum.de

[www.pfeiffer-vacuum.com](http://www.pfeiffer-vacuum.com)

All data subject to change without prior notice.

**PFEIFFER**  **VACUUM**