

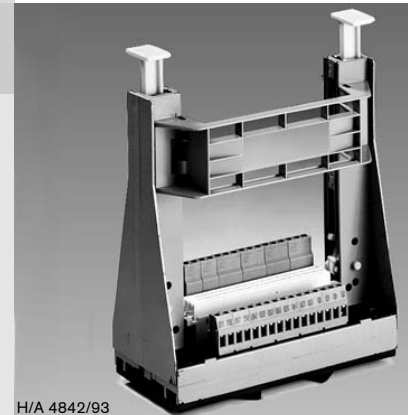
# Card holder Typs VT3002

**RE 29 928/11.03**

1/4

Replaces: 02.03

Series 2X



H/A 4842/93

## Overview of contents

Contents	Page
Features	1
Ordering details	1
Technical data	2
Installation guidelines	2
Unit dimensions	3

### Power supply unit:

- Type VT-NE30-1X, see RE 29 929
- Compact power supply unit 115/230 VAC → 24 VDC, 70 VA

## Features

- Card holders allow the simple installation and wiring of individual electronic cards in Euro format, e.g. in switching cabinets
- Can be screwed on or snapped onto DIN rails
- Vertical mounting onto a DIN rail, possible with an additional adaptor (included within the scope of supply)
- Stable base
- Card locking and releasing by lever operation
- Connection via screw terminals

## Ordering details

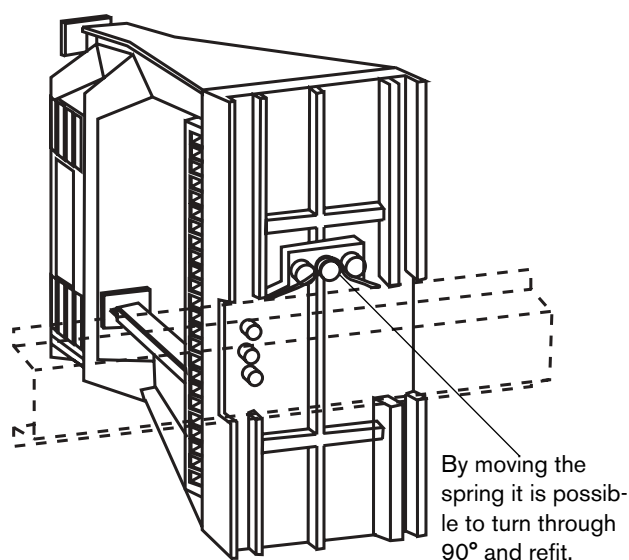
VT3002 - 2X/		*
Card holder		Further details in clear text
Series 20 to 29 (20 to 29: unchanged technical data and pin allocation)	= 2X	
		15H = 15-pin spring contact strip, form H
		32D = 32-pin spring contact strip, form D
		48F = 48-pin spring contact strip, form F
		64G = 64-pin spring contact strip, form G

**Technical data** (for applications outside these parameters, please consult us!)

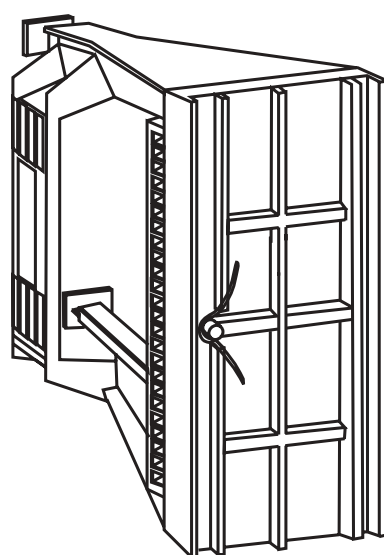
Terminal voltage to VDE 0110 C	<i>U</i>	Max. 125 VAC
Current loading capacity	– VT 3002-2X/15H	/ 15 A
	– VT 3002-2X/32D	/ 4 A
	– VT 3002-2X/48F	/ 4 A
	– VT 3002-2X/64G	/ 3 A
Cross-section connection	<i>A</i>	Screw terminals max. 4mm <sup>2</sup> , (form H - 6 mm <sup>2</sup> )
Connection type: (socket connection)	– VT 3002-2X/15H	15-pin spring contact strip, form H, DIN 41612
	– VT 3002-2X/32D	32-pin spring contact strip, form D DIN 41612
	– VT 3002-2X/48F	48-pin spring contact strip, form F DIN 41612
	– VT 3002-2X/64G	64-pin spring contact strip, form G DIN 41612
Pin allocation:	– VT 3002-2X/15H	Even numbered, rows d/z
	– VT 3002-2X/32D	Even numbered, rows a/c
	– VT 3002-2X/48F	Even numbered, rows d/b/z
	– VT 3002-2X/64G	Even numbered, rows f/d/b/z
Permissible ambient temperature range	$\vartheta$	–20 bis +70°C
Weight	<i>m</i>	0,5 kg

**Installation guidelines**

- Push the yellow lever down and insert the card completely. To withdraw the card you have to operate the detented lever which releases the card enabling it to be withdrawn.
- The connection profile between the two card guides can be removed or snapped into place on the other side to allow the connection of cables.

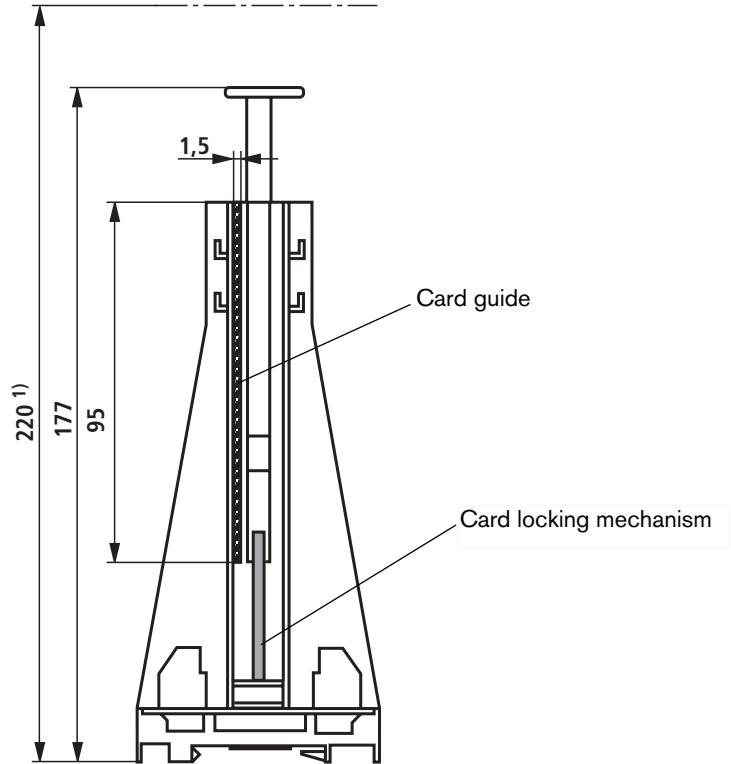
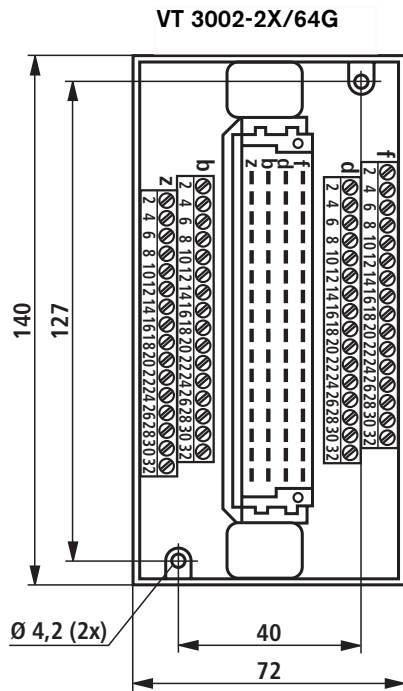
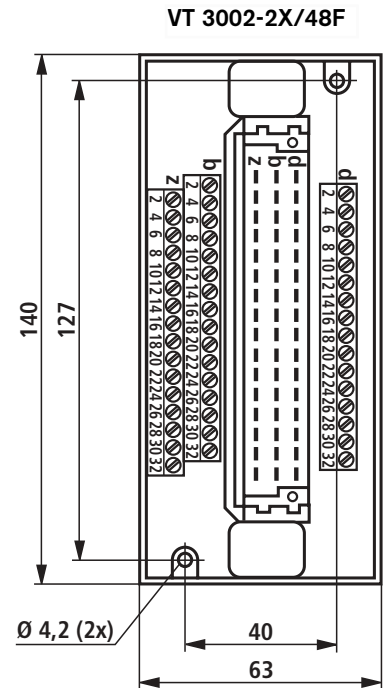
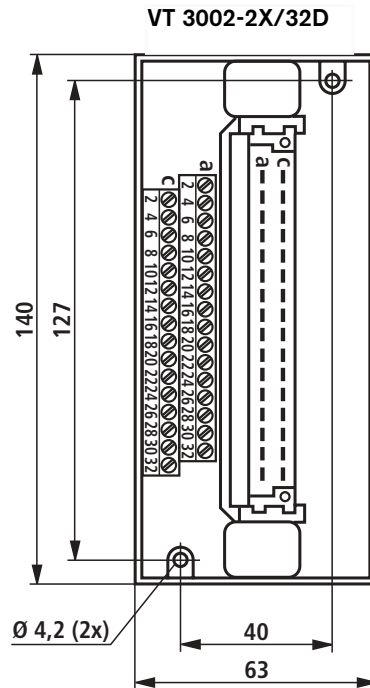
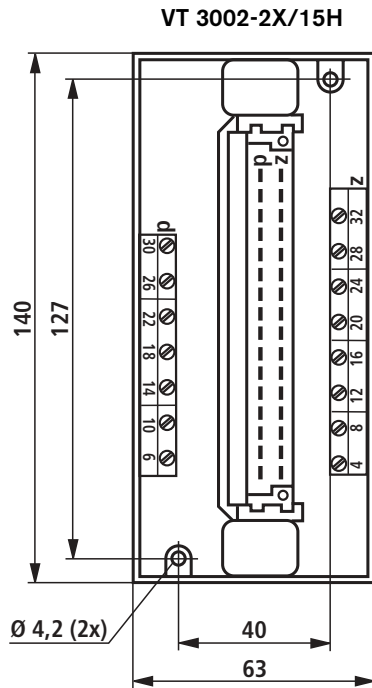


Card holder connection types H 15-pin; D 32-pin and F 48-pin



Card holder connection type G 64-pin only horizontal mounting possible

Unit dimensions (in mm)



<sup>1)</sup> Dim. with top-hat rail and Eurocard 100 x 160 mm

## Notes

---

Bosch Rexroth AG  
Industrial Hydraulics  
Zum Eisengießer 1  
97816 Lohr am Main, Germany  
Telefon +49 (0) 93 52 / 18-0  
Telefax +49 (0) 93 52 / 18-23 58  
documentation@boschrexroth.de  
www.boschrexroth.de

© 2003 by Bosch Rexroth AG, Industrial Hydraulics, 97813 Lohr am Main  
All rights reserved. No part of the document may be reproduced or stored, processed, duplicated or circulated using electronic systems, in any form or by means, without the prior written authorisation of Bosch Rexroth AG, Industrial Hydraulics. In the event of contravention of the above provisions, the contravening party is obliged to pay compensation.

The data specified above only serves to describe the product. No statements concerning a certain condition or suitability for a certain application can be derived from our information. The details stated do not release you from the responsibility for carrying out your own assessment and verification. It must be remembered that our products are subject to a natural process of wear and ageing.