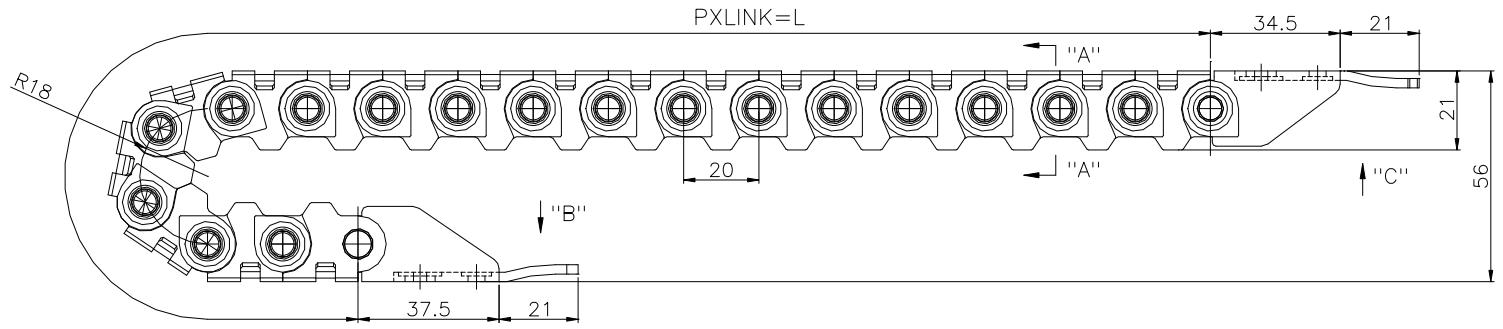
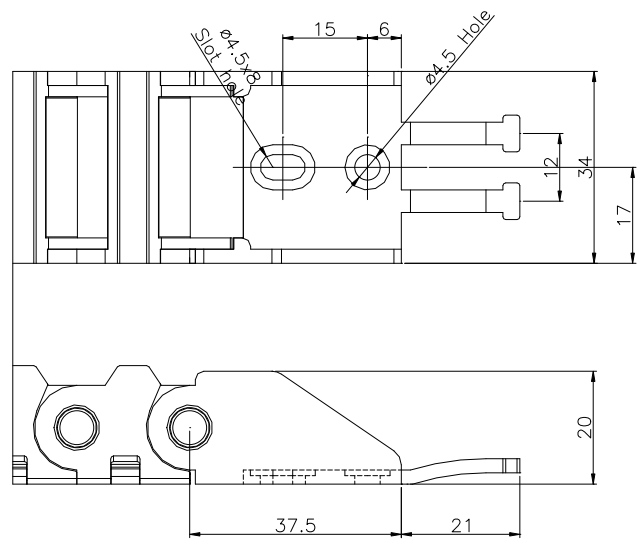


KDP20 W25 R18

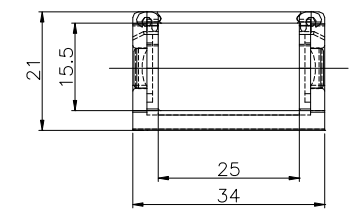
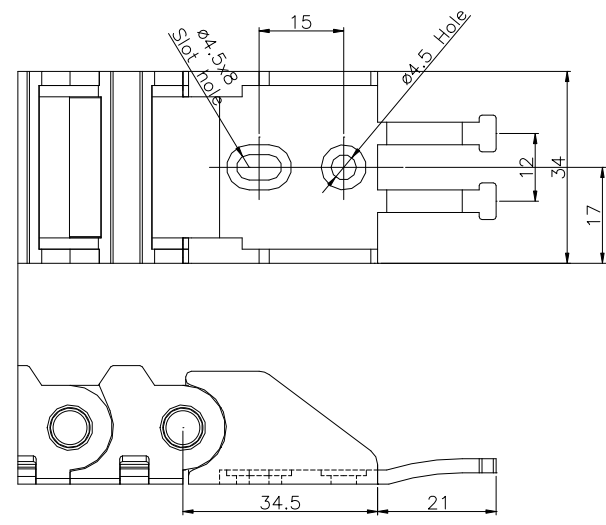
MARK	DATE	REVISION	REASON	SIGNATURE
1				
2				



VIEW-B
FIXED BRACKET(S=1.5:1)



VIEW-C
MOVING BRACKET(S=1.5:1)



SECTION A-A (S=1.5:1)

NAME	PROJECT CABLE VEYOR			
	TITLE KDP20 W25 R18		DATE 2010.09.09	
D.W.G Y.G.NOH G.H.K	D.S.G.N APP.D S.K.LEE	SCALE 1/2	DWG NO. KD-1009-09-002	SHEET NO. 02 / 16
KODUCT CO.,Ltd				