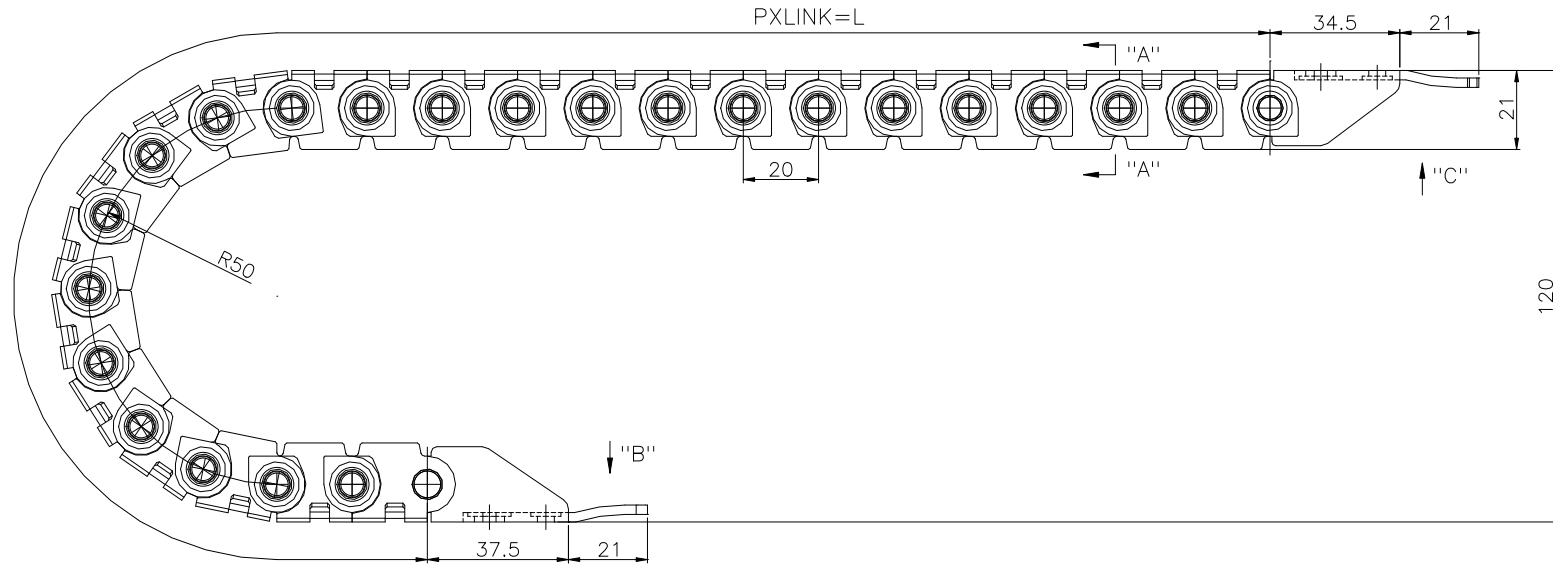
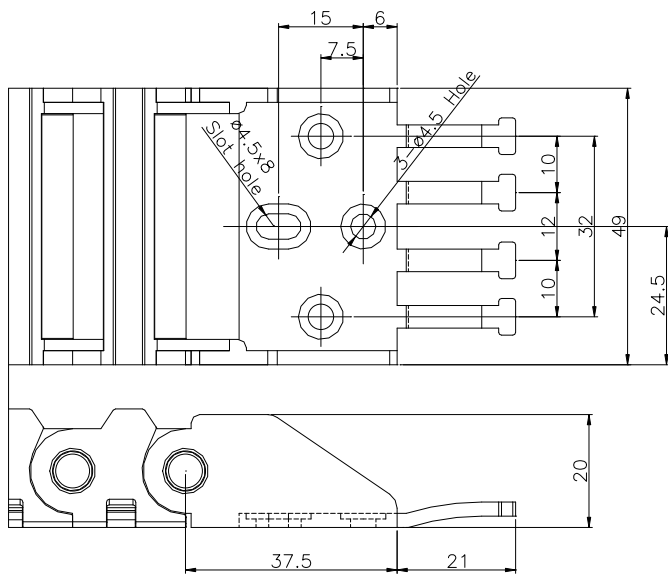


KDP20 W40 R50

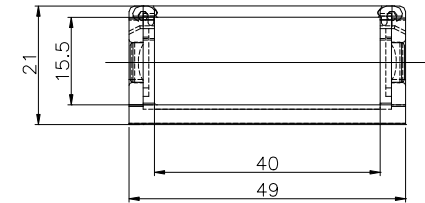
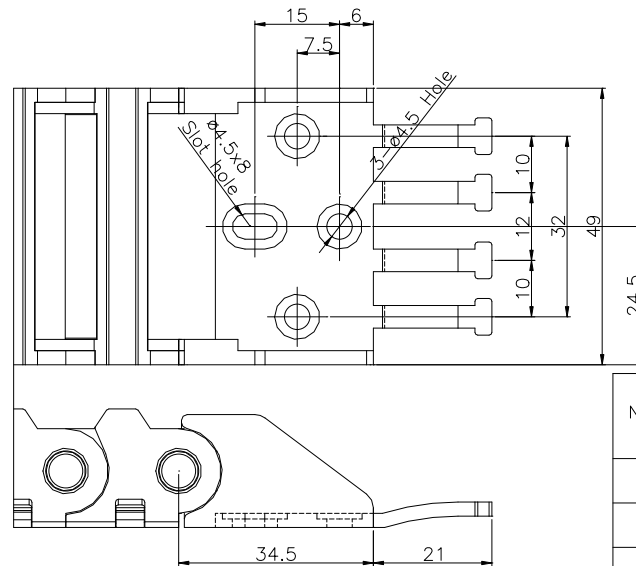
MARK	DATE	REVISION	REASON	SIGNATURE
1				
2				



VIEW-B
FIXED BRACKET(S=1.5:1)



VIEW-C
MOVING BRACKET(S=1.5:1)



SECTION A-A (S=1.5:1)

NAME	PROJECT CABLE VEYOR			
	TITLE KDP20 W40 R50		DATE 2010.09.09	
D.W.G Y.G.NOH	D.S.G.N	SCALE	DWG NO.	SHEET NO.
G.H.K	APP.D S.K.LEE	1/2	KD-1009-09-016	16 / 16
KODUCT CO.,Ltd				