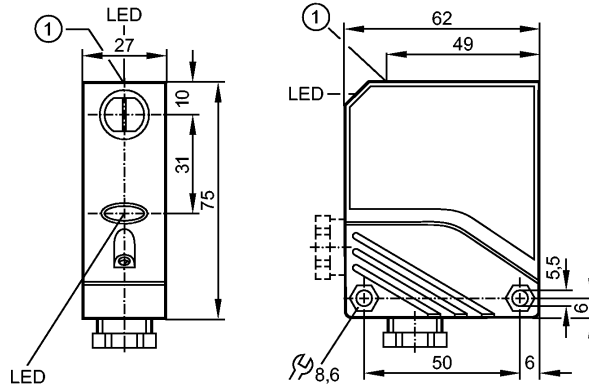


no longer available - archive entry

Alternative article: O5H500 + E11509 + E21122

When selecting an alternative article and accessories please note that technical data may differ!



1: pushbutton



Product characteristics

Diffuse reflection sensor

Rectangular, plastics

Terminals

Function check output

Range 1...1000mm (Range referred to white paper 200 x 200 mm, 90 % remission)

adjustable

Electrical data

Electrical design	DC PNP
Operating voltage [V]	10...36 DC
Current consumption [mA]	< 37
Type of light	Infrared light 880 nm
Protection class	II
Reverse polarity protection	yes

Outputs

Output function	light-on / dark-on programmable
Voltage drop	
- Switching output [V]	< 2.5
- Function check output [V]	< 3.5
Current rating	
- Switching output [mA]	100
- Function check output [mA]	10
Short-circuit protection	yes (non-latching)
Overload protection	yes
Switching frequency [Hz]	500

Monitoring range

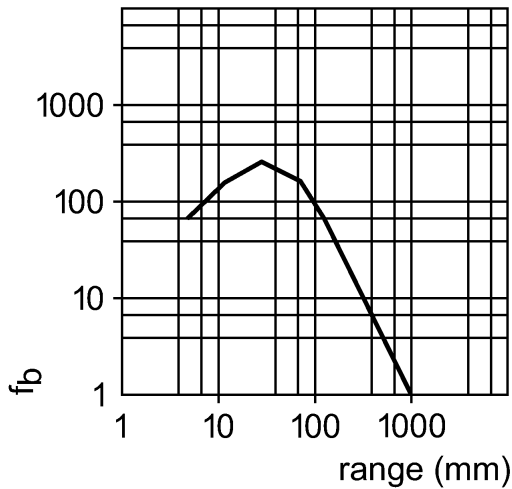
Range [mm]	1...1000 (Range referred to white paper 200 x 200 mm, 90 % remission)
Light spot diameter [mm]	< 300 (at maximum range)

Excess gain graphs

OL5006

OLT-FPKG

Photoelectric sensors



Environment

Ambient temperature	[°C]	-25...80
Protection		IP 67

Tests / approvals

EMC	EN 60947-5-2 EN 55011:	class B
-----	---------------------------	---------

Mechanical data

Housing materials		PA; PBT
Lens material		PMMA
Weight	[kg]	0.163

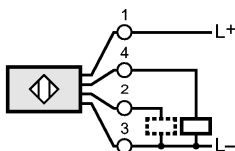
Displays / operating elements

Output status indication	LED	yellow
Power	LED	green
Function display	LED	red

Electrical connection

Connection	terminals up to 1.5 mm ² ; cable diameter 4.5...10 mm, cable gland M16 x 1.5
------------	---

Wiring



2: function check

Remarks

Pack quantity	[piece]	1
---------------	---------	---

ifm efector, inc. • 1100 Atwater Drive • Malvern • PA 19355 — We reserve the right to make technical alterations without prior notice. — US — OL5006 — 06.03.2003

no longer available - archive entry

Alternative article: O5H500 + E11509 + E21122

When selecting an alternative article and accessories please note that technical data may differ!