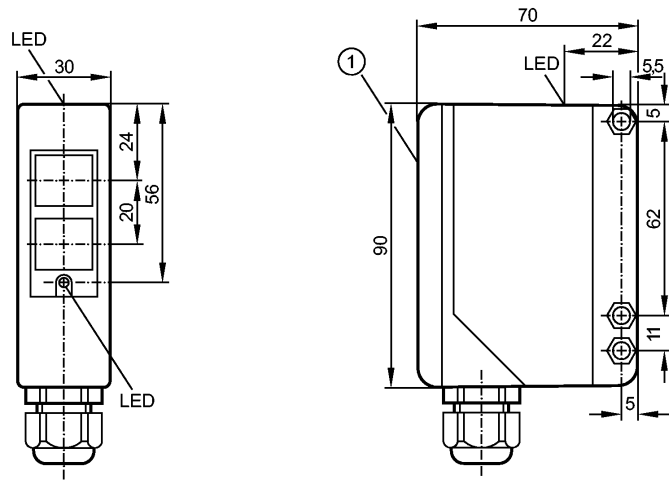


**OA5108**

OAT-FCKG

Photoelectric sensors



1: selection switch, pot's (under cover)

Receiver in upper lens, transmitter in lower lens



**Product characteristics**

Diffuse reflection sensor

Rectangular, plastics

Terminals

Function check output

Range 5...1500mm (referred to white paper 200 x 200 mm)

adjustable

**Electrical data**

Electrical design		DC PNP/NPN
Operating voltage	[V]	10...36 DC
Current consumption	[mA]	< 50
Type of light		Infrared light 880 nm
Protection class		II
Reverse polarity protection		yes

**Outputs**

Output function		light-on / dark-on programmable
<b>Current rating</b>		
- Switching output	[mA]	250
- dual output mode	[mA]	100
- Function check output	[mA]	10
Short-circuit protection		yes (non-latching)
Overload protection		yes
Switching frequency	[Hz]	300

**Monitoring range**

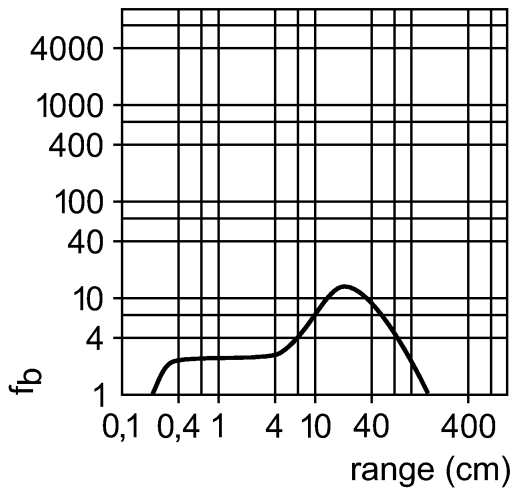
Range	[mm]	5...1500 (referred to white paper 200 x 200 mm)
Light spot diameter	[mm]	370 ( at maximum range )

**Excess gain graphs**

**OA5108**

OAT-FCKG

Photoelectric sensors



**Environment**

Ambient temperature	[°C]	-25...60
Protection		IP 65

**Tests / approvals**

EMC		EN 60947-5-2
MTTF	[Years]	402

**Mechanical data**

Housing materials		modified PPO
Lens material		PMMA
Weight	[kg]	0.283

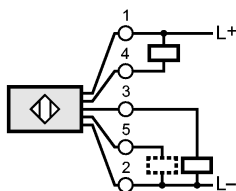
**Displays / operating elements**

Output status indication	LED	yellow
Power	LED	green
Function display	LED	red

**Electrical connection**

Connection		terminals up to 1.5 mm <sup>2</sup> ; cable diameter 4.5...10 mm, cable gland M16 x 1.5
------------	--	---

**Wiring**



5: function check

**Accessories**

Accessories (included)		Angle bracket; E20514; screwdriver
------------------------	--	------------------------------------

**Remarks**

Pack quantity	[piece]	1
---------------	---------	---