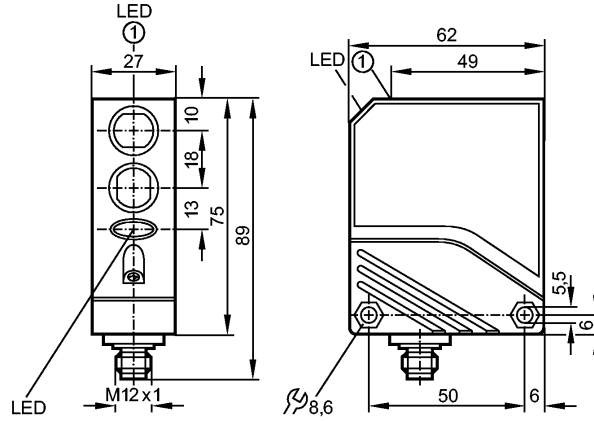


no longer available - archive entry

Alternative article: O5P500 + E21122

When selecting an alternative article and accessories please note that technical data may differ!



1: pushbutton



Product characteristics

Retro-reflective sensor

Rectangular, plastics

Quick disconnect

Polarization filter

Sensing range 0.3...5m (Prismatic reflector Ø 80 (E20005))

adjustable

Electrical data

Electrical design	DC PNP
Operating voltage [V]	10...36 DC
Current consumption [mA]	< 37
Type of light	red light 660 nm
Protection class	II
Reverse polarity protection	yes

Outputs

Output function	light-on / dark-on programmable
Voltage drop	
- Switching output [V]	< 2.5
- Function check output [V]	< 3.5
Current rating	
- Switching output [mA]	100
- Function check output [mA]	10
Short-circuit protection	yes (non-latching)
Overload protection	yes
Switching frequency [Hz]	500

Monitoring range

Sensing range [m]	0.3...5 (Prismatic reflector Ø 80 (E20005))
Range referred to prismatic reflector [m]	Ø 80 0.3...5 Ø 40 0.3...3

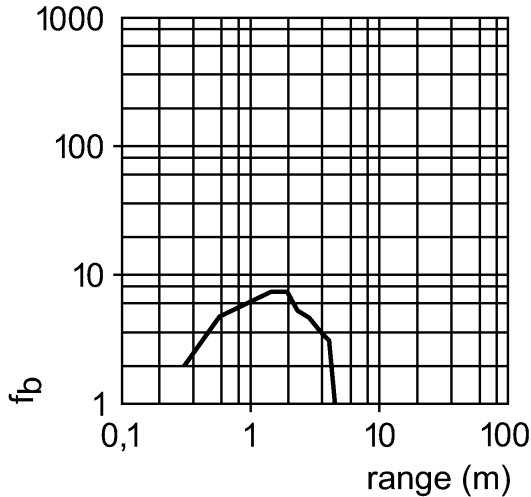
OL5003

OLP-FPKG/US-100

Photoelectric sensors

	Ø 22	0.3...2
Light spot diameter	[mm]	250 (at maximum range)

Excess gain graphs



Environment

Ambient temperature	[°C]	-25...80
Protection		IP 67

Tests / approvals

EMC	EN 60947-5-2 EN 55011:	class B
-----	---------------------------	---------

Mechanical data

Housing materials		PA; PBT
Lens material		PMMA
Weight	[kg]	0.23

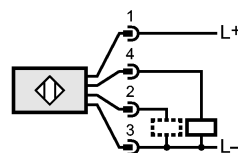
Displays / operating elements

Output status indication	LED	yellow
Power	LED	green
Function display	LED	red

Electrical connection

Connection		M12 connector
------------	--	---------------

Wiring



2: function check

Remarks

Pack quantity	[piece]	1
---------------	---------	---

no longer available - archive entry

Alternative article: O5P500 + E21122

When selecting an alternative article and accessories please note that technical data may differ!