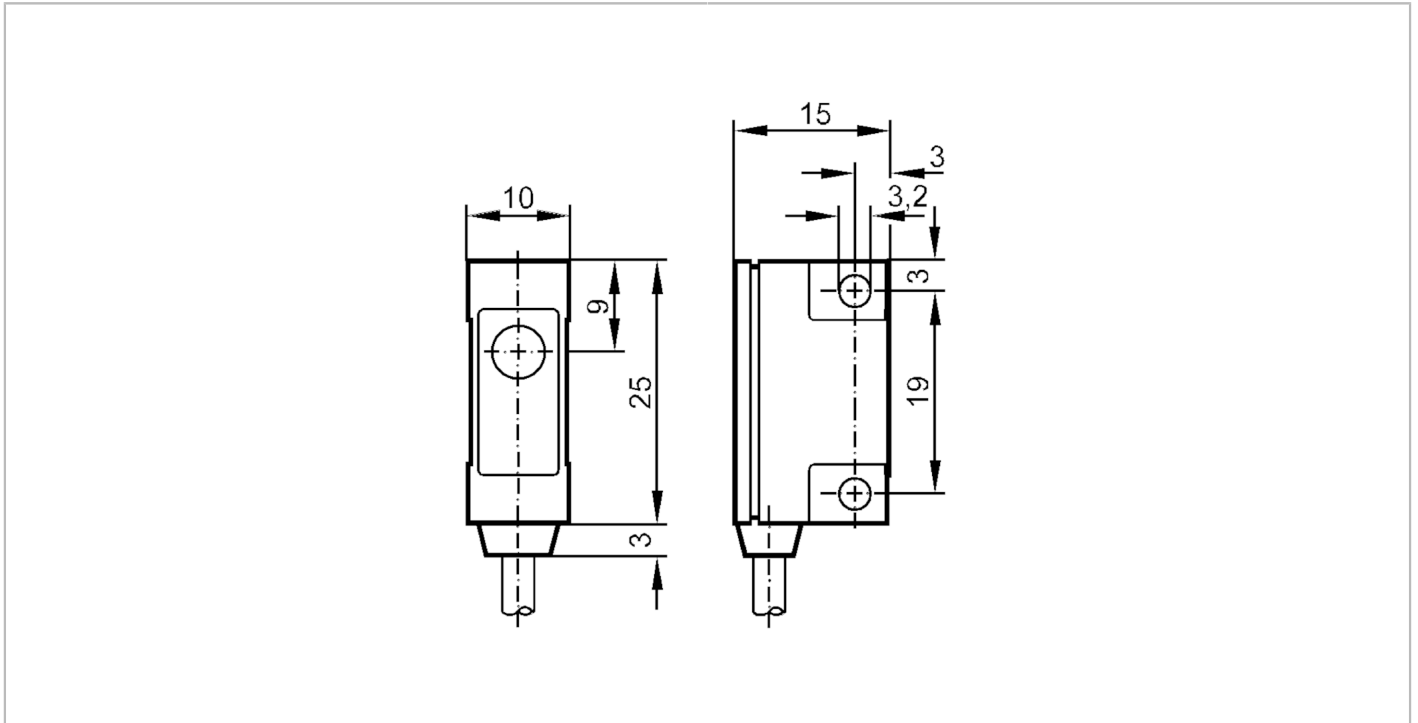


OR0002



Through-beam sensor receiver

ORE-V



Product characteristics	
Type of light	Infrared light
Housing	rectangular
Application	
Function principle	Through-beam sensor
Electrical data	
Connection at circuit amplifier	yes
Switching amplifiers	Connection at circuit amplifier OV5012, OV0010
Type of light	Infrared light
Wave length [nm]	950
Outputs	
Short-circuit protection	no
Overload protection	no
Monitoring range	
Transmitter / receiver	receiver
Range [m]	< 2
Operating conditions	
Ambient temperature [°C]	-20...80
Protection	IP 67
Tests / approvals	
MTTF [years]	49633

OR0002



Through-beam sensor receiver

ORE-V

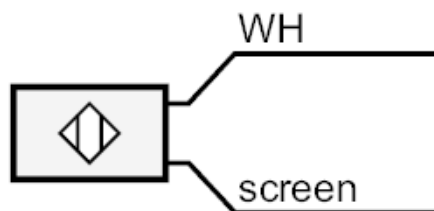
Mechanical data	
Weight [g]	59
Housing	rectangular
Material	PPO modified
Lens alignment	Side sensing

Accessories	
Items supplied	Angle bracket: 1, E20212

Remarks	
Pack quantity	1 pcs.

Electrical connection	
Cable: 2 m; 1 x 0.14 mm ²	

Connection



Core colors :

WH =

white

screen =

screen