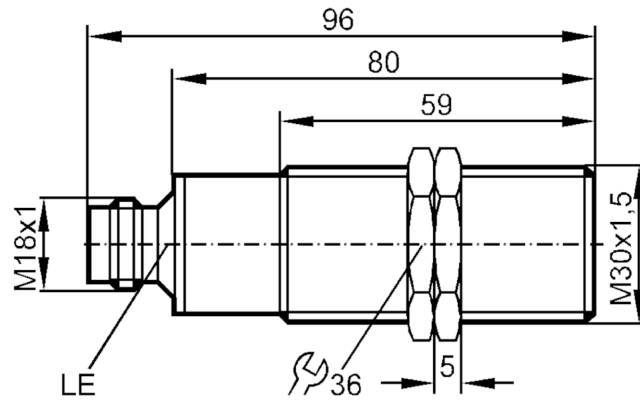


II0282



Inductive sensor

IIA2010-ABOA/V4A/BS-301-A



Product characteristics

Output function		normally open
Sensing range	[mm]	10
Housing		Threaded type
Dimensions	[mm]	M30 x 1.5

Electrical data

Operating voltage	[V]	20...250 AC/DC
Protection class		II
Reverse polarity protection		yes



Inductive sensor

IIA2010-ABOAV4A/BS-301-A

Outputs	
Output function	normally open
Max. voltage drop switching output DC [V]	6.5
Max. voltage drop switching output AC [V]	6.5
Minimum load current [mA]	5
Max. leakage current [mA]	2.5 (250 V AC) / 1.3 (110 V AC) / 0.8 (24 V DC)
Permanent current rating of switching output AC [mA]	100; (350 (...50 °C))
Permanent current rating of switching output DC [mA]	100
Short-time current rating of switching output [mA]	2200; (20 ms / 0,5 Hz)
Switching frequency AC [Hz]	25
Switching frequency DC [Hz]	50
Short-circuit proof	no
Overload protection	yes
Monitoring range	
Sensing range [mm]	10
Real sensing range Sr [mm]	10 ± 10 %
Operating distance [mm]	0...8.1
Accuracy / deviations	
Correction factor	steel: 1 / stainless steel: 0.7 / brass: 0.5 / aluminum: 0.4 / copper: 0.3
Hysteresis [% of Sr]	3...15
Switch-point drift [% of Sr]	-10...10
Operating conditions	
Ambient temperature [°C]	-25...80
Protection	IP 67
Tests / approvals	
EMC	EN 60947-5-2
	EN 55011 class B
MTTF [years]	607
Mechanical data	
Weight [g]	175
Housing	Threaded type
Mounting	flush mountable
Dimensions [mm]	M30 x 1.5
Thread designation	M30 x 1.5
Material	stainless steel (1.4571/316Ti) ; PBT uncolored
Displays / operating elements	
Display	Switching status
	1 x LED, yellow
Electrical connection	
Required protection	miniature fuse to IEC60127-2 sheet 1; ≤ 2 A; fast acting

II0282



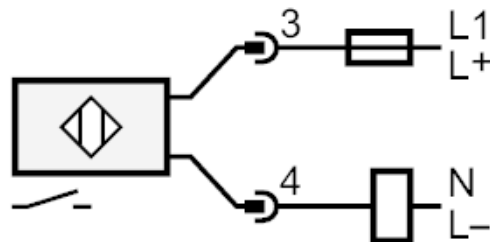
Inductive sensor

IIA2010-ABOA/V4A/BS-301-A

Accessories	
Items supplied	lock nuts: 2
Remarks	
Remarks	Recommendation: check the unit for reliable function after a short circuit.
Pack quantity	1 pcs.

Electrical connection - plug

Connector: 1 x M18



Note miniature fuse to IEC60127-2 sheet 1 \leq 2 A fast acting