



JTY-GD-2151EIS Photoelectric JTWB-BCD-5151EIS Thermal Intrinsically Safe Detectors



JTY-GD-2151EIS & B401

JTWB-BCD-5151EIS

Features

- Exia II CT6(JTY-GD-2151EIS, JTWB-BCD-5151EIS)
- 360° visible LED indicator
- Tamper-resistant design
- SEMS screws for easy wiring (B401)
- Low operating current
- 3-year warranty

General Description

Model JTY-GD-2151EIS is a conventional intrinsically safe photoelectric smoke detector uses state-of-the-art sensing chamber. The detector is designed to provide open area protection and is for use with 2-wire control panels via interface module. Each detector is equipped with two LEDs that provide a local, visual indication of detector status. Once the detector senses a fire, it latches on in alarm and remains the state until it is reset by a momentary power interruption. The detector can be tested by activating an internal reed switch with a test magnet.

Model JTWB-BCD-5151EIS is a conventional 2-wire intrinsically safe thermal detector. This detector is designed to provide open area protection and is for use with 2-wire control panels via interface module. The detector utilizes a state-of-the-art thermistor sensing circuit for fast and accurate response. It can be used in various environmental conditions and also has the simple maintenance and lower fault rate advantages. Two red LEDs blink in standby status each 5S and latch on in alarm, and stop blinking in fault. A built-in test switch is designed for product testing.

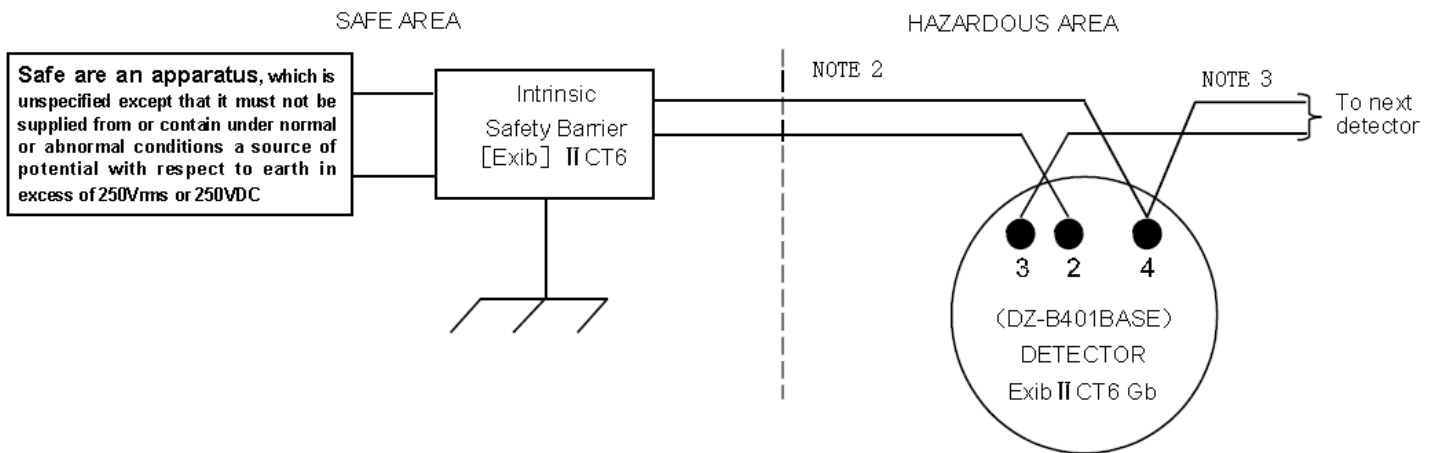
Agency Listings



Specifications

Dimension:	104mm(Diameter, JTY-GD-2151EIS/JTWB-BCD-5151EIS)
Height:	51mm(JTY-GD-2151EIS, JTWB-BCD-5151EIS)
Weight:	88g(JTY-GD-2151EIS), 80g(JTWB-BCD-5151EIS)
Input Voltage:	8.5 to 28VDC(JTY-GD-2151EIS), 8.5 to 28VDC(JTWB-BCD-5151EIS)
Installation Temperature:	-10°C to 55°C(JTY-GD-2151EIS), -10°C to 50°C(JTWB-BCD-5151EIS)
Operating Humidity Range:	10% to 95% Relative Humidity (non-condensing, JTY-GD-2151EIS/JTWB-BCD-5151EIS)
Latching Alarm:	Reset by momentary power interruption
Sensitivity:	63°C fixed or 10°C/min rate-of-rise(JTWB-BCD-5151EIS)
Intrinsic Safety Rating:	Exia II CT6 (JTY-GD-2151EIS, JTWB-BCD-5151EIS)

Typical Intrinsically Safe Detector System Diagram



Note:

- The transformer in the hazardous area must be accordance with the Item 8.1 of the GB3836.4-2000 standard.
- The installation must comply with the Item 15 of the GB3836.15-2000 standard.
- Don't clean the detector housing with a dry cloth.
- The electrical circuit in the hazardous area must be capable of withstanding an A.C. test voltage of 500VRMS to earth or frame of the apparatus for one minute.
- Zone wiring of the detector bases refer to the B401 base installation manual.

Ordering Information

Model	Description	CCC	UL	FM	UOM
JTY-GD-2151EIS	Photoelectric Smoke Intrinsically Safe Detector	√			EA.
JTWB-BCD-5151EIS	Thermal Intrinsically Safe Detector	√			EA.
B401	Plug-in Detector Base		√	√	EA.