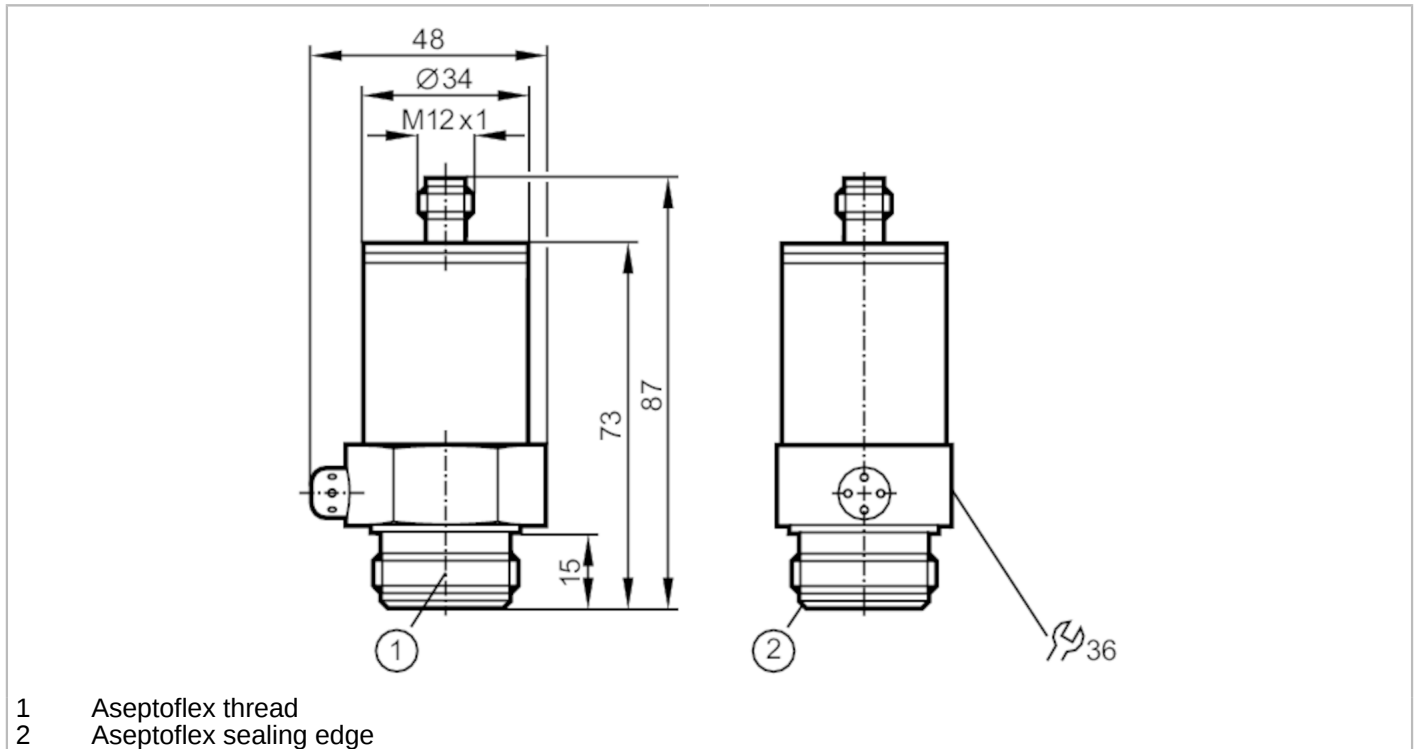


PL2054



Flush pressure transmitter

PL-010-RES30-E-ZVG/US/ /P



Application	
Application	hygienic systems
Media	viscous media and liquids with suspended particles; liquids and gases
Medium temperature [°C]	-25...80
Pressure rating	50 bar 725 psi 5000 kPa
Min. bursting pressure	150 bar 2175 psi 15000 kPa
Type of pressure	relative pressure
No dead space	yes
Electrical data	
Operating voltage [V]	14...30 DC
Min. insulation resistance [MΩ]	100; (500 V DC)
Protection class	III
Reverse polarity protection	yes
Inputs / outputs	
Number of inputs and outputs	Number of analogue outputs: 1
Outputs	
Total number of outputs	1
Output signal	analogue signal
Number of analogue outputs	1
Analogue current output [mA]	4...20
Max. load [Ω]	550; (U _b = 24 V; (U _b - 13 V) / 20 mA)
Overload protection	yes

PL2054



Flush pressure transmitter

PL-010-RES30-E-ZVG/US/ /P

Measuring/setting range			
Measuring range	-0.5...10 bar	-7...145 psi	-50...1000 kPa
Analogue start point	-0.5...7.49 bar	-7...109 psi	-50...749 kPa
Analogue end point	2...9.99 bar	29...145 psi	200...999 kPa
In steps of	0.01 bar	1 psi	1 kPa
Factory setting		ASP = 0.00 bar	AEP = 9.99 bar
Accuracy / deviations			
Repeatability [% of the span]	< ± 0,1; (with temperature fluctuations < 10 K; Turn down 1:1)		
Characteristics deviation [% of the span]	< ± 0,6; (Turn down 1:1 linearity, incl. hysteresis and repeatability limit value setting to DIN 16086)		
Linearity deviation [% of the span]	< ± 0,5; (Turn down 1:1)		
Hysteresis deviation [% of the span]	< ± 0,1; (Turn down 1:1)		
Long-term stability [% of the span]	< ± 0,1; (Turn down 1:1; per year)		
Temperature coefficient zero point [% of the span / 10 K]	< ± 0,1; (0...80 °C)		
Temperature coefficient span [% of the span / 10 K]	< ± 0,2; (0...80 °C)		
Response times			
Max. response time analogue output [ms]	3		
Software / programming			
Parameter setting options	zero point; span		
Interfaces			
Communication interface	EPS		
Operating conditions			
Ambient temperature [°C]	-25...80		
Storage temperature [°C]	-40...100		
Protection	IP 67		
Tests / approvals			
EMC	EN 61000-4-2 ESD	4 kV CD / 8 kV AD	
	EN 61000-4-3 HF radiated	10 V/m	
	EN 61000-4-4 Burst	2 kV	
	EN 61000-4-6 HF conducted	10 V	
Shock resistance	DIN IEC 68-2-27	50 g (11 ms)	
Vibration resistance	DIN IEC 68-2-6	20 g (10...2000 Hz)	
MTTF [years]	271		

PL2054



Flush pressure transmitter

PL-010-RES30-E-ZVG/US/ /P

Mechanical data	
Weight [g]	316.8
Materials	stainless steel (1.4404 / 316L); PEI; FKM
Materials (wetted parts)	ceramics (99.9 % Al ₂ O ₃); PTFE; stainless steel (1.4435 / 316L); surface characteristics: Ra < 0,4 / Rz 4
Min. pressure cycles	100 million
Process connection	threaded connection Aseptoflex external thread Aseptoflex
Remarks	
Remarks	The 3-A qualification is only valid if adapters with 3-A qualification are used for installation.
Pack quantity	1 pcs.

Electrical connection

Connector: 1 x M12; Contacts: gold-plated



Connection

