

TA3131



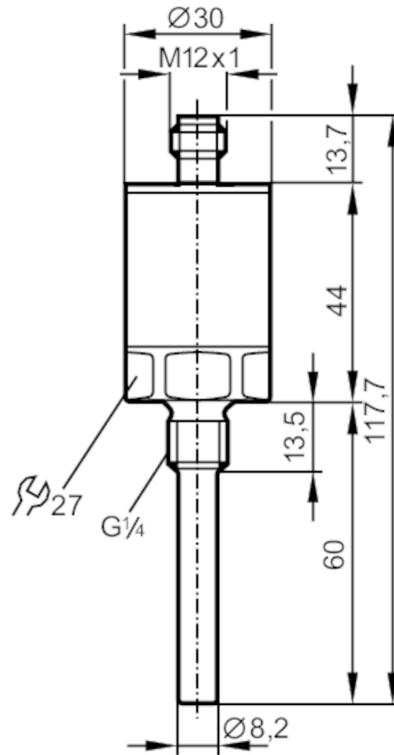
Temperature transmitter

TA-060.CDR14-A-ZVG/US/

Article no longer available - archive entry

Alternative articles: TA2115 or TA3115

When selecting an alternative article and accessories please note that technical data may differ!



Product characteristics

Number of inputs and outputs	Number of analog outputs: 1	
Measuring range	-50...150 °C	-58...302 °F
Process connection	threaded connection G 1/4 external thread	
Installation length EL [mm]	60	

Application

System	gold-plated contacts	
Measuring element	1 x Pt 1000; (to DIN EN 60751, class A)	
Media	liquids and gases	
Medium temperature	< 150; (< 40 min) °C	< 302; (< 40 min) °F
Pressure rating [bar]	400	
Minimum installation depth [mm]	15	

Electrical data

Operating voltage [V]	10...30 DC	
Protection class	III	
Reverse polarity protection	yes	

TA3131



Temperature transmitter

TA-060.CDR14-A-ZVG/US/

Inputs / outputs		
Number of inputs and outputs	Number of analog outputs: 1	
Outputs		
Total number of outputs	1	
Output signal	analog signal	
Number of analog outputs	1	
Analog current output [mA]	4...20	
Max. load [Ω]	500	
Overload protection	yes	
Measuring/setting range		
Probe length L [mm]	46.5	
Measuring range	-50...150 °C	-58...302 °F
Resolution		
Resolution of analog output [K]	0.02	
Accuracy / deviations		
Precision analog output [K]	$\pm 0,4$	
Temperature coefficient [% of the span / 10 K]	$< \pm 0,1$; (In case of deviation from the reference condition 25 ± 5 °C)	
Reaction times		
Dynamic response T05 / T09 [s]	1 / 3; (according to DIN EN 60751)	
Operating conditions		
Ambient temperature [°C]	-25...70	
Storage temperature [°C]	-40...100	
Protection	IP 68; IP 69K	
Tests / approvals		
EMC	DIN EN 61000-4-2 ESD	4 kV CD / 8 kV AD
	EN 61000-4-3 HF radiated	10 V/m
	DIN EN 61000-4-4 Burst	2 kV
	DIN EN 61000-4-5 Surge	1 kV
	EN 61000-4-6 HF conducted	10 V
Shock resistance	DIN EN 60068-2-27	50 g (11 ms)
Vibration resistance	DIN EN 60068-2-6	10 g (10...2000 Hz)
Mechanical data		
Weight [g]	140.6	
Dimensions [mm]	$\varnothing 30$ / L = 117.7	
Material	stainless steel (1.4404 / 316L); stainless steel (1.4301 / 304); stainless steel (1.4305 / 303); PA	
Materials (wetted parts)	stainless steel (1.4404 / 316L)	
Process connection	threaded connection G 1/4 external thread	
Installation length EL [mm]	60	

TA3131



Temperature transmitter

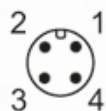
TA-060.CDR14-A-ZVG/US/

Remarks

Remarks	The values for accuracy apply to flowing water. referring to UL: for use on a low voltage circuit with overcurrent protection in accordance with UL873 tab. 28.1 or $I_{max} = 100/U_b$ (U_b = voltage of the circuit)
Pack quantity	1 pcs.

Electrical connection

Connector: 1 x M12; Contacts: gold-plated



Connection

