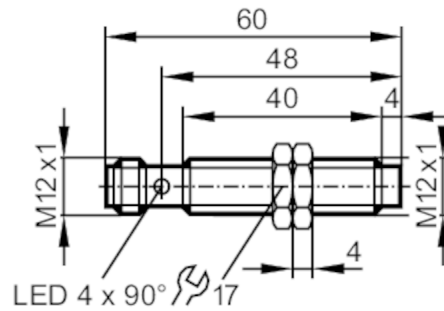


IF5850



Inductive sensor

IFK3004UBPKG/V4A/US-100-DPS



Product characteristics

| | | |
|-------------------|------|------------------|
| Electrical design | | PNP |
| Output function | | normally open |
| Sensing range | [mm] | 4 |
| Housing | | Threaded type |
| Dimensions | [mm] | M12 x 1 / L = 60 |

Application

| | | |
|-----------------------|--|-----------------------|
| System | | Magnetic-field immune |
| Magnetic-field immune | | yes |

Electrical data

| | | |
|-----------------------------|------|------------|
| Operating voltage | [V] | 10...36 DC |
| Current consumption | [mA] | 15; (24 V) |
| Protection class | | II |
| Reverse polarity protection | | yes |

Outputs

| | | |
|---|------|--------------------|
| Electrical design | | PNP |
| Output function | | normally open |
| Max. voltage drop switching output DC | [V] | 2.5 |
| Permanent current rating of switching output DC | [mA] | 250 |
| Switching frequency DC | [Hz] | 1400 |
| Short-circuit protection | | yes |
| Type of short-circuit protection | | yes (non-latching) |
| Overload protection | | yes |

Monitoring range

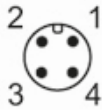
| | | |
|-----------------------|------|----------|
| Sensing range | [mm] | 4 |
| Real sensing range Sr | [mm] | 4 ± 10 % |
| Operating distance | [mm] | 0...3.25 |

IF5850



Inductive sensor

IFK3004UBPKG/V4A/US-100-DPS

| Accuracy / deviations | | |
|---|--|-----------------|
| Correction factor | steel: 1 / stainless steel: 0.7 / brass: 0.5 / aluminum: 0.4 / copper: 0.3 | |
| Hysteresis [% of Sr] | 3...15 | |
| Switch-point drift [% of Sr] | -10...10 | |
| Operating conditions | | |
| Ambient temperature [°C] | -25...80 | |
| Protection | IP 67 | |
| Tests / approvals | | |
| EMC | EN 60947-5-2 | |
| | EN 55011 | class B |
| MTTF [years] | 1906 | |
| Mechanical data | | |
| Weight [g] | 45.7 | |
| Housing | Threaded type | |
| Mounting | non-flush mountable | |
| Dimensions [mm] | M12 x 1 / L = 60 | |
| Thread designation | M12 x 1 | |
| Material | stainless steel (1.4571/316Ti); PBT | |
| Displays / operating elements | | |
| Display | Switching status | 1 x LED, yellow |
| Accessories | | |
| Items supplied | lock nuts: 2 | |
| Remarks | | |
| Pack quantity | 1 pcs. | |
| Electrical connection - plug | | |
| Connector: 1 x M12; coding: A | | |
|  | | |

IF5850

Inductive sensor

IFK3004UBPKG/V4A/US-100-DPS



Connection

