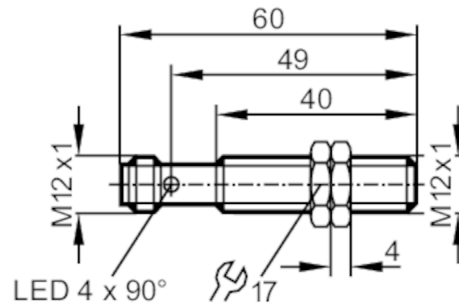


MFS211



Full-metal magnetic sensor

MFK3060-BPKG/AM/G/US




Product characteristics	
Electrical design	PNP
Output function	normally open
Sensing range [mm]	60; (referred to magnet M 4.0)
Housing	Threaded type
Dimensions [mm]	M12 x 1 / L = 60
Application	
System	gold-plated contacts; Full-metal housing
Pressure rating [bar]	100
Electrical data	
Operating voltage [V]	10...30 DC
Current consumption [mA]	< 10
Protection class	III
Reverse polarity protection	yes
Outputs	
Electrical design	PNP
Output function	normally open
Max. voltage drop switching output DC [V]	2.5
Permanent current rating of switching output DC [mA]	200
Switching frequency DC [Hz]	5000
Short-circuit protection	yes
Overload protection	yes
Monitoring range	
Sensing range [mm]	60; (referred to magnet M 4.0)
Magnetic sensitivity [mT]	1.3
Accuracy / deviations	
Hysteresis [% of Sr]	1...10
Operating conditions	
Ambient temperature [°C]	-25...75
Protection	IP 65; IP 67

MFS211



Full-metal magnetic sensor

MFK3060-BPKG/AM/G/US

Tests / approvals		
EMC	EN 61000-4-2 ESD	4 kV CD / 8 kV AD
	EN 61000-4-3 HF radiated	10 V/m
	EN 61000-4-4 Burst	2 kV
	EN 61000-4-5 Surge	0,5 kV line to line, Ri: 2 Ohm
	EN 61000-4-6 HF conducted	10 V
	EN 55011 emission	class B
	DIN ISO 11452-2	100 V/m
MTTF	[years]	1401
Mechanical data		
Weight	[g]	28.1
Housing		Threaded type
Dimensions	[mm]	M12 x 1 / L = 60
Thread designation		M12 x 1
Material		housing: stainless steel (1.4404 / 316L); sensing face: stainless steel (1.4404 / 316L); LED window: PA; lock nuts: brass
Full-metal housing		yes
Displays / operating elements		
Display	Switching status	4 x 90° LED, yellow
Accessories		
Items supplied		lock nuts: 2
Remarks		
Pack quantity		1 pcs.
Electrical connection - plug		
Connector: 1 x M12; coding: A; Contacts: gold-plated		
		

MFS211

Full-metal magnetic sensor

MFK3060-BPKG/AM/G/US



Connection

