



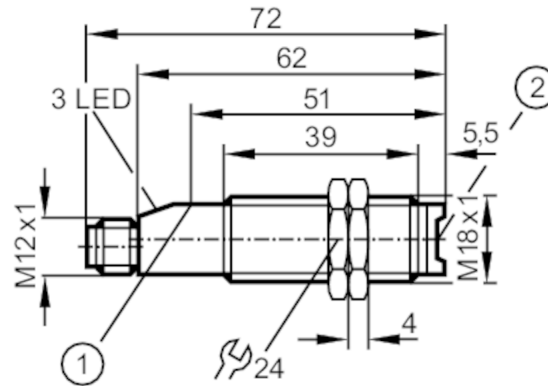
Through-beam sensor receiver

OGELFPKG/B1/V4A/US-100

Article no longer available - archive entry

Alternative articles: OGE700

When selecting an alternative article and accessories please note that technical data may differ!



- 1 pushbutton
- 2 LED \$Justierhilfe

Product characteristics

Type of light	red light
Housing	Threaded type

Application

System	gold-plated contacts; Function check output
Function principle	Through-beam sensor

Electrical data

Operating voltage	[V]	10...30 DC
Current consumption	[mA]	< 30
Protection class		II
Reverse polarity protection		yes
Type of light		red light
Wave length	[Nm]	675
Typ. lifetime	[h]	50000

OG5058



Through-beam sensor receiver

OGELFPKG/B1/V4A/US-100

Outputs		
Electrical design	PNP	
Output function	light-on/dark-on mode; (configurable)	
Max. voltage drop switching output DC [V]	2.5	
Function check output	yes	
Max. voltage drop of function check output [V]	3.5	
Max. current load for function check output [mA]	10	
Permanent current rating of switching output DC [mA]	200	
Switching frequency DC [Hz]	500	
Short-circuit protection	yes	
Type of short-circuit protection	yes (non-latching)	
Overload protection	yes	
Monitoring range		
Transmitter / receiver	receiver	
Range [m]	< 60	
Range adjustable	yes	
Diameter of the smallest detectable object [mm]	3	
Operating conditions		
Ambient temperature [°C]	-10...50	
Protection	IP 67	
Tests / approvals		
EMC	EN 60947-5-2	
Mechanical data		
Housing	Threaded type	
Dimensions [mm]	M18 x 1 / L = 72	
Thread designation	M18 x 1	
Material	stainless steel (1.4404 / 316L); PBT	
Lens material	PMMA	
Displays / operating elements		
Display	Switching status	1 x LED, yellow
	Power	1 x LED, green
	Function	1 x LED, red
Accessories		
Items supplied	lock nuts: 2 x	
Remarks		
Pack quantity	1 pcs.	
Electrical connection		
Connector: 1 x M12; Contacts: gold-plated		

OG5058

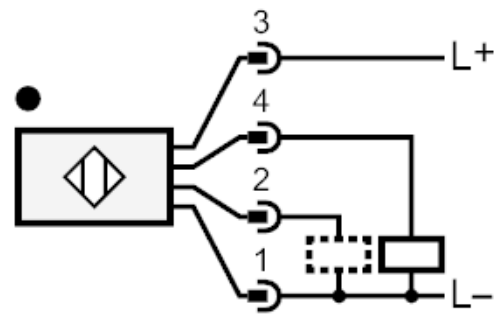
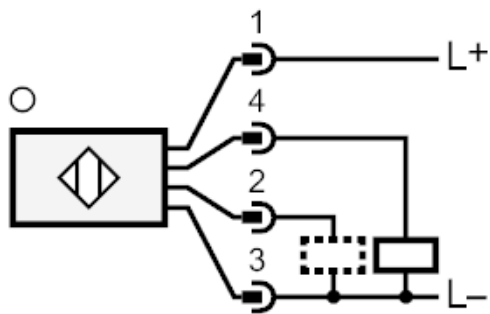


Through-beam sensor receiver

OGELFPKG/B1/V4A/US-100



Connection



2

Function check output

OG5058



Through-beam sensor receiver

OGELFPKG/B1/V4A/US-100

Diagrams and graphs

excess gain graph

