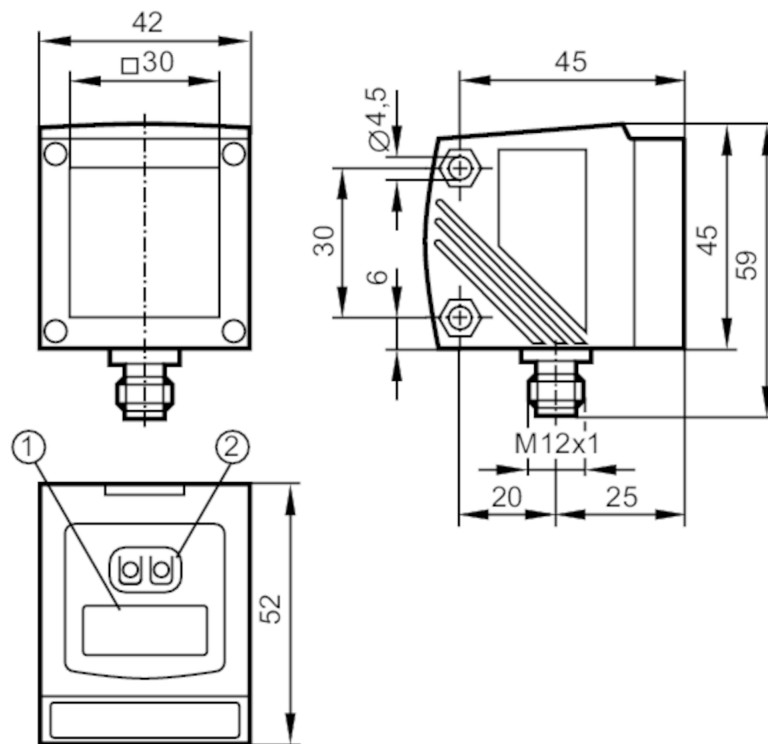


# O1D155



## Photoelectric distance sensor

O1DLF3KG/IO-LINK



- 1 alphanumeric display 4-digit
- 2 Programming buttons



### Product characteristics

Type of light	red light
Laser protection class	1
Housing	rectangular

### Electrical data

Operating voltage	[V]	18...30 DC
Current consumption	[mA]	< 150
Protection class		III
Reverse polarity protection		yes
Type of light		red light
Wave length	[nm]	650
Typ. lifetime	[h]	50000

### Inputs / outputs

Number of inputs and outputs	Number of digital outputs: 2; Number of analog outputs: 1
------------------------------	---

# O1D155



## Photoelectric distance sensor

O1DLF3KG/IO-LINK

Outputs		
Total number of outputs	2	
Electrical design	PNP	
Number of digital outputs	2	
Output function	normally open / closed; (programmable)	
Max. current load per output [mA]	200	
Number of analog outputs	1	
Analog current output [mA]	4...20; (IEC 61131-2)	
Max. load [ $\Omega$ ]	250	
Analog voltage output [V]	0...10; (IEC 61131-2)	
Min. load resistance [ $\Omega$ ]	5000	
Short-circuit protection	yes	
Type of short-circuit protection	yes (non-latching)	
Overload protection	yes	
Monitoring range		
Max. light spot width [mm]	8	
Max. light spot height [mm]	8	
Light spot dimensions refer to	6 m	
Background suppression [m]	6...100	
Measuring/setting range		
Measuring range [m]	0.3...6; (white paper 200 x 200 mm 90 % remission)	
Sampling rate [Hz]	1...33	
Interfaces		
Communication interface	IO-Link	
Transmission type	COM2 (38,4 kBaud)	
IO-Link revision	1.1	
SDCI standard	IEC 61131-9	
Profiles	Smart Sensor: Sensor Identification; Binary Data Channel, Process Value; Sensor Diagnosis	
SIO mode	yes	
Required master port class	A	
Process data analog	2	
Process data binary	2	
Min. process cycle time [ms]	6	
Supported DeviceIDs	Type of operation default	DeviceID 812
Operating conditions		
Ambient temperature [ $^{\circ}$ C]	-10...60	
Protection	IP 67	

# O1D155



## Photoelectric distance sensor

O1DLF3KG/IO-LINK

Tests / approvals		
EMC	EN 60947-5-2	
Laser protection class		1
Notes on laser protection	Caution:	Laser light
	laser class:	1
		EN / IEC60825-1:2007
		EN / IEC60825-1:2014
		Complies with 21 CFR 1040 except for deviations pursuant to Laser Notice No. 50, dated June 2007.
MTTF [years]		186
Mechanical data		
Weight [g]		310.5
Housing		rectangular
Dimensions [mm]		59 x 42 x 52
Material		housing: diecast zinc; front lens: glass; LED window: PC
Displays / operating elements		
Display	Switching status	2 x LED, yellow
	Power	LED, green
	Distance, programming	alphanumeric display, 4-digit
Accessories		
Accessories (optional)		Protective cover, E21133
Remarks		
Remarks		cULus - Class 2 source required
Pack quantity		1 pcs.
Electrical connection		
Connector: 1 x M12; coding: A		

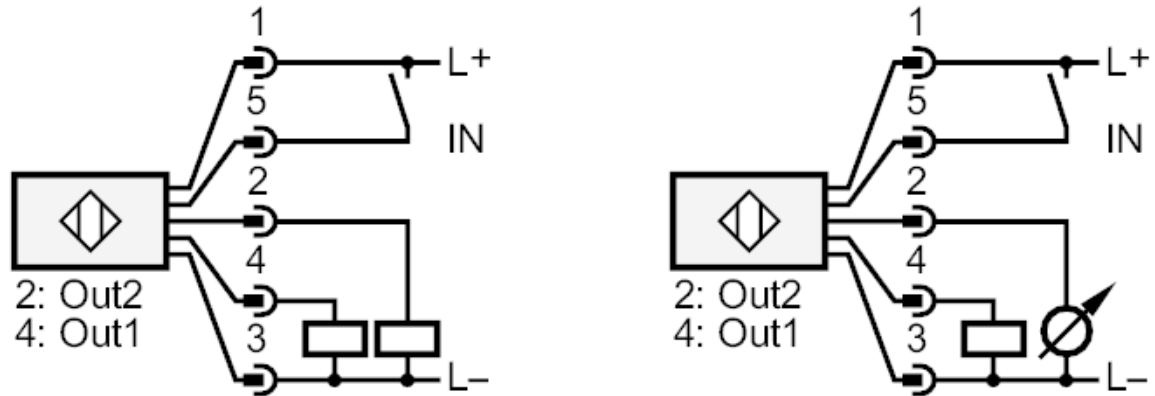
# O1D155



## Photoelectric distance sensor

O1DLF3KG/IO-LINK

### Connection



- 2: OUT2 Switching output or 4...20 mA / 0...10 V
- 4: OUT1 switching output or IO-Link
- 5: IN Laser On/ Off Ein / Aus

### Other data

Parameter	Setting range	Factory setting
Uni	mm, m, inch	mm
OU1	Hno, Hnc, Fno, Fnc	Hno
SP1	300...5999	1000
nSP1	300...5999	800
FSP1	300...5999	1200
OU2	Hno, Hnc, Fno, Fnc, I, U	I
SP2	300...5999	2000
nSP2	300...5999	1800
FSP2	300...5999	2200
ASP	0...5999	0
AEP	0...5999	5999
rATE [Hz]	1...33	15
dS1	0...0.1...5	0
dr1	0...0.1...5	0
dS2	0...0.1...5	0
dr2	0...0.1...5	0
dFo	0...0.1...5	0
dIS	d1...3 ; rd1...3; OFF	d3

# O1D155



## Photoelectric distance sensor

O1DLF3KG/IO-LINK

### Repeatability / Accuracy

	Repeatability of the measured values		Accuracy	
	white (90 % remission)	grey (18 % remission)	white (90 % remission)	grey (18 % remission)
300...1000 mm	± 11 mm	± 13 mm	± 31mm	± 33 mm
1000...2000 mm	± 28 mm	± 30 mm	± 48 mm	± 50 mm
2000...3000 mm	± 50 mm	± 50 mm	± 70 mm	± 70 mm
3000...4000 mm	± 85 mm	± 85 mm	± 105 mm	± 105 mm
4000...5000 mm	± 105 mm		± 125 mm	
5000...6000 mm	± 145 mm		± 165 mm	
Sampling rate	15 Hz			

### Repeatability / Accuracy

	Repeatability of the measured values		Accuracy	
	white (90 % remission)	grey (18 % remission)	white (90 % remission)	grey (18 % remission)
300...1000 mm	± 8 mm	± 10 mm	± 28 mm	± 30 mm
1000...2000 mm	± 25 mm	± 25 mm	± 45 mm	± 45 mm
2000...3000 mm	± 38 mm	± 38 mm	± 58 mm	± 58 mm
3000...4000 mm	± 70 mm	± 70 mm	± 90 mm	± 90 mm
4000...5000 mm	± 100 mm		± 120 mm	
5000...6000 mm	± 100 mm		± 120 mm	
Sampling rate	1 Hz			

Range on black object (6 % remission)	<= 2500 klx
The values apply at	
Extraneous light on the object	< 100 klx
constant ambient conditions	23 °C / 960 hPa
minimum power-on time in minutes	10